

SPARE PARTS CATALOGUE



SNOW PLOUGH
VARIO COMMUNAL

CPKV



SNOW PLOUGH
VARIO
LIGHTWEIGHT

CPLV



SNOW PLOUGH
VARIO STANDARD

CPSV



SNOW PLOUGH
VARIO
HEAVYWEIGHT

CPCV

ATTENTION!

The manufacturer reserves all rights to the user manual.
Copying or modifying the manual or any part thereof without the manufacturer's consent is **prohibited**.

The manufacturer reserves the right to make changes to the instructions without prior notice and is not obliged to replace previous editions with newer ones.



This catalogue does not include standard commercial parts available on the market (bolts, nuts, pins, etc.). Replacement components must not have lower strength than the original manufacturer's parts.

Bytów 2024



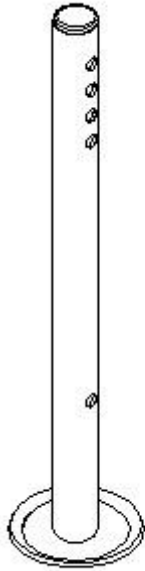
1. General construction



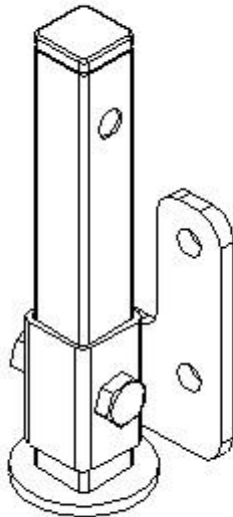
Fig. 1 General view of V-type snow ploughs.

2. Assemblies, subassemblies and parts.

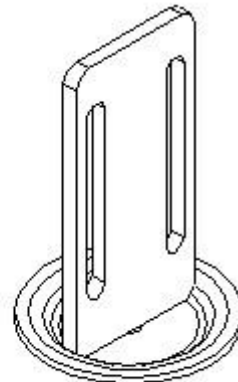
Fig. 2 Slides and support feet.



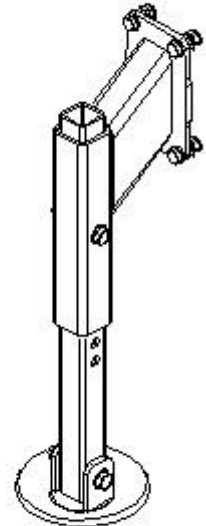
Support foot
PX01-00-A-R01



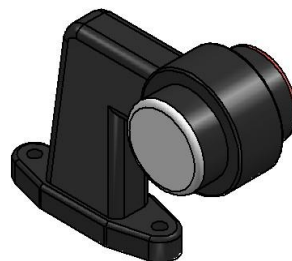
Support foot
PX01-00-C-R01



Sliding skid
PX05_00_C_R01

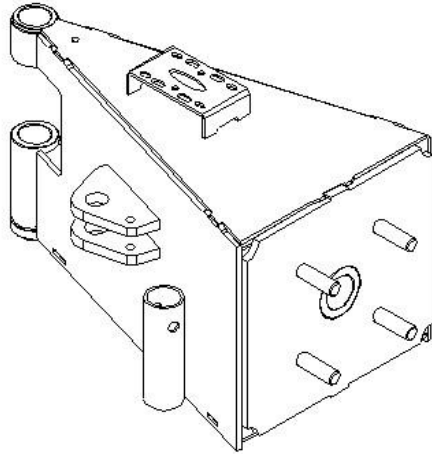


Sliding skid
PX05_00_D_R01

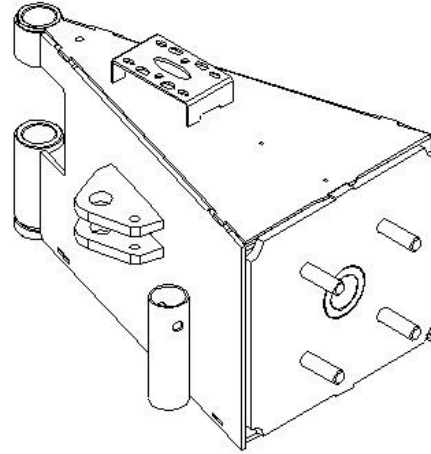


Marker lights left + right
FT-009 C

Fig. 3 Suspension system housings for CPLV, CPKV snow ploughs

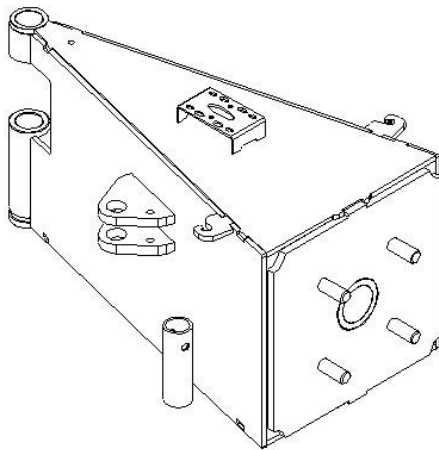


PL01-00-R01

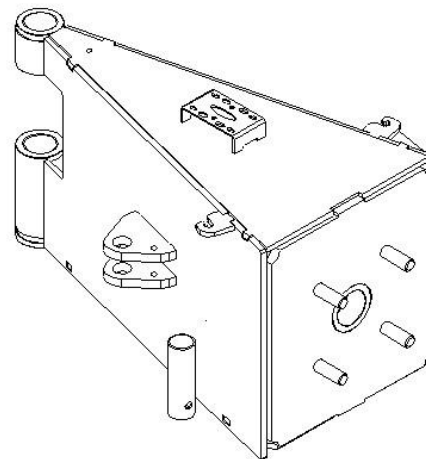


PL02-00-R01

Fig. 4 Suspension system housings for CPCV, CPSV snow ploughs



PC01-00-R01



PG01-00-R01

Fig. 5 Suspension frame for CPLV, CPKV snow ploughs;
P005-A-R01

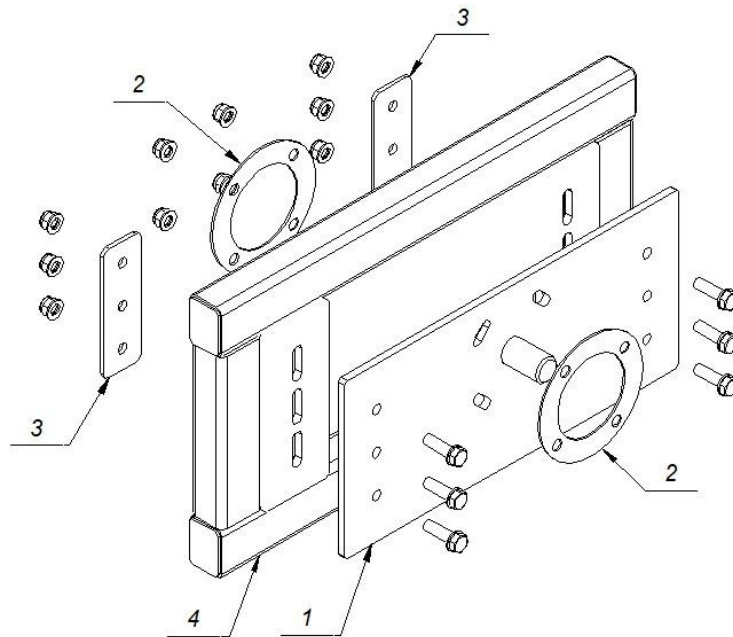
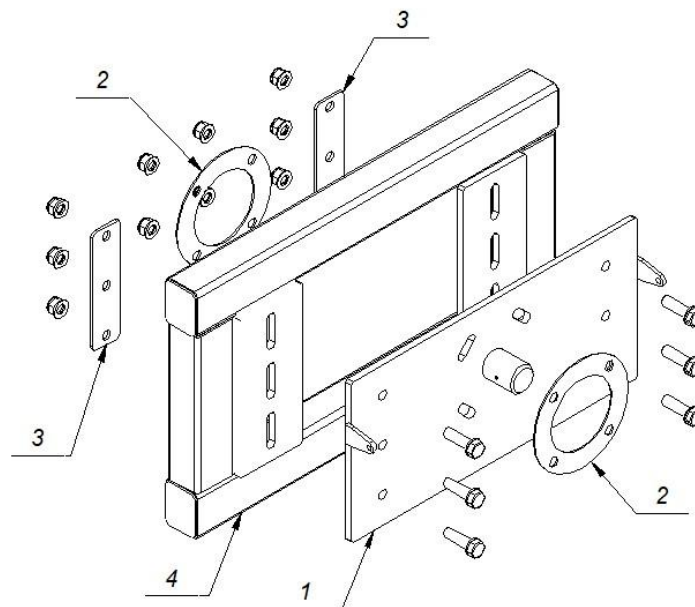


Fig. 6 Suspension frame for CPCV, CPSV snow ploughs;
PM05-A-R01



- (1) - Main plate; (2) - Sliding ring;
- (3) - Sliding pads; (4) - Mounting frame;

Fig. 7 Parts of the CPKV130, 150 / CPLV150, 180, 200 plough - Table No. 1

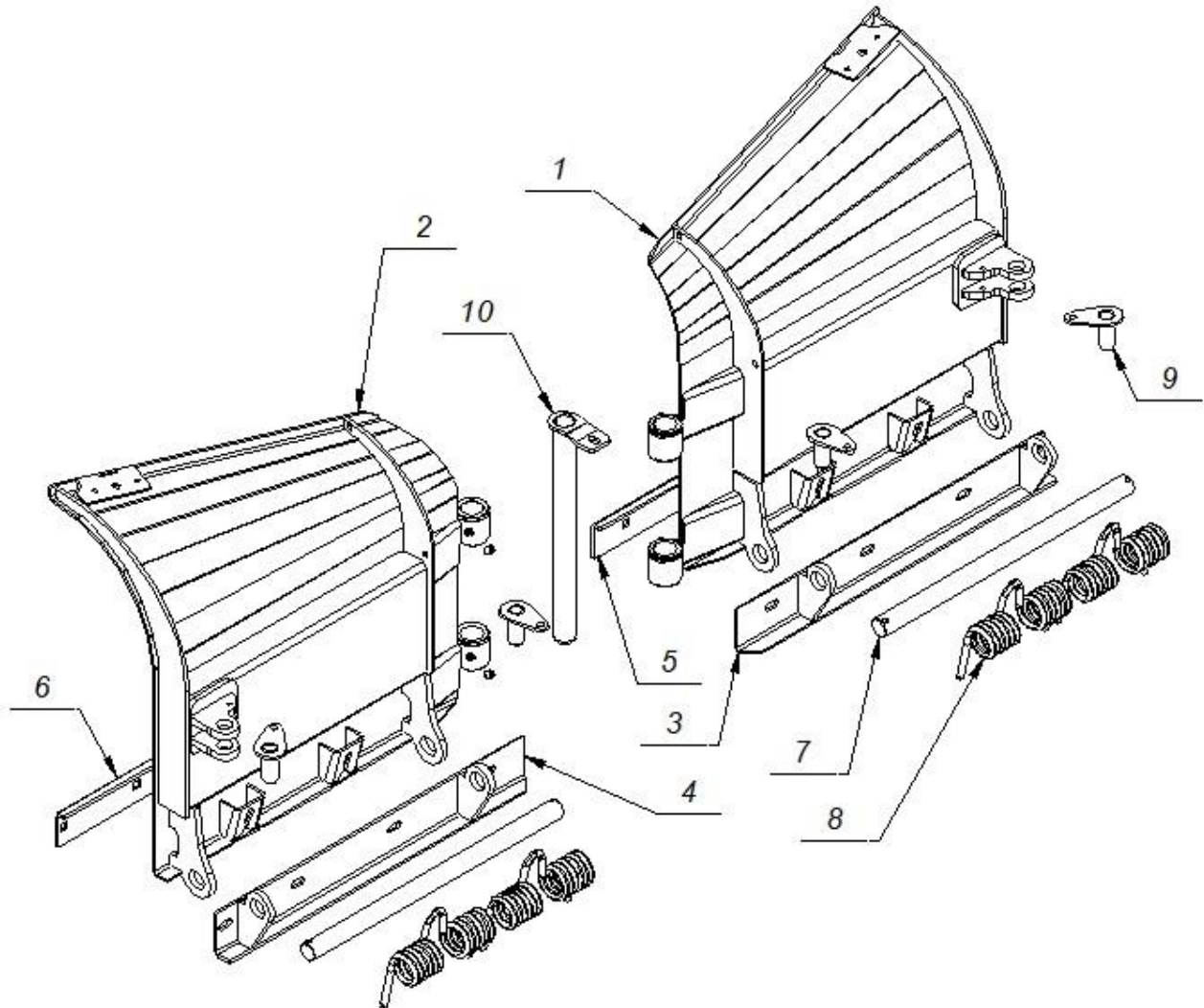


Fig. 8 Plough parts CPKV180, 200 / CPLV180 – Table No. 1

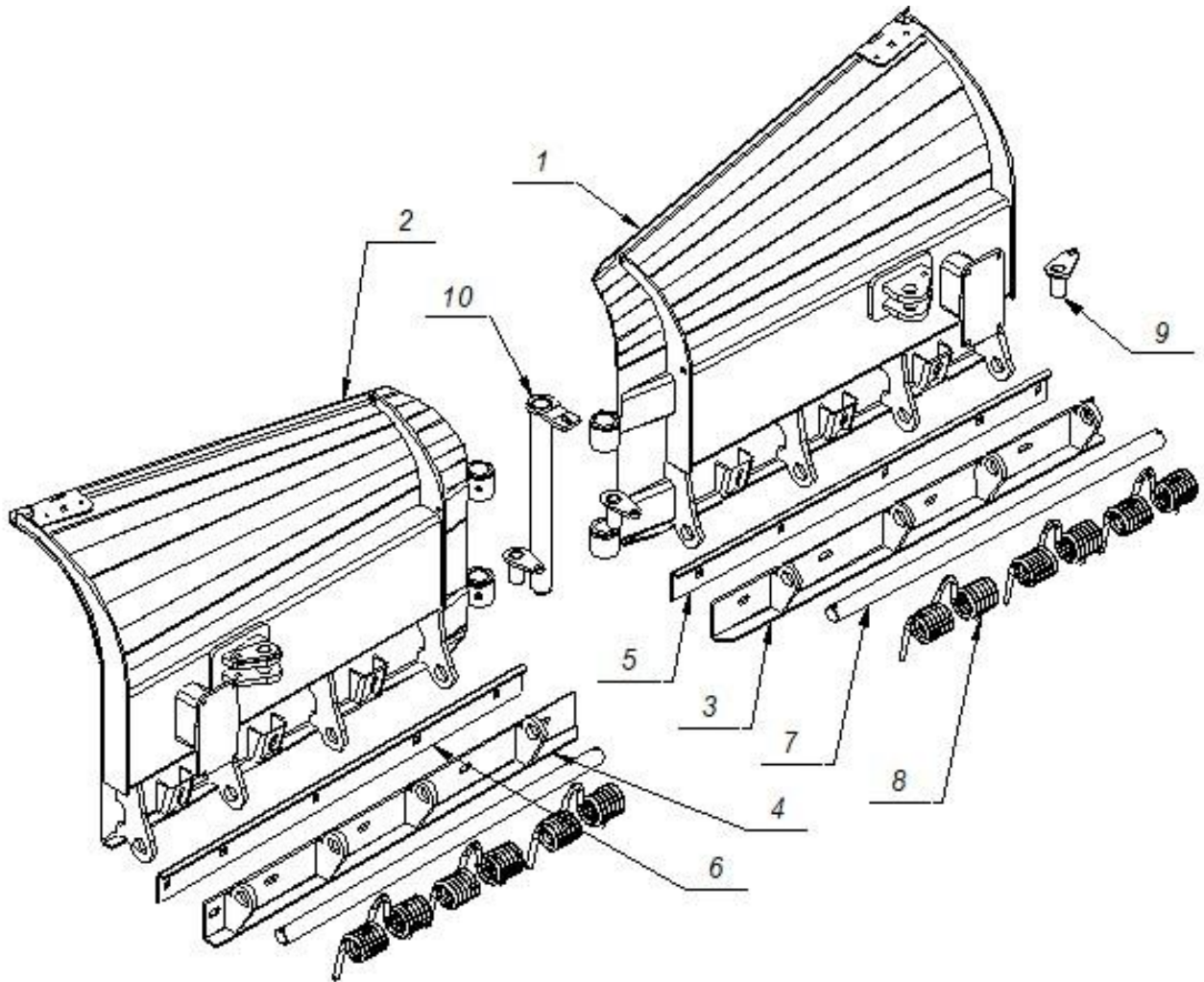


Fig. 9 Plough parts CPLV200 – Table No. 1

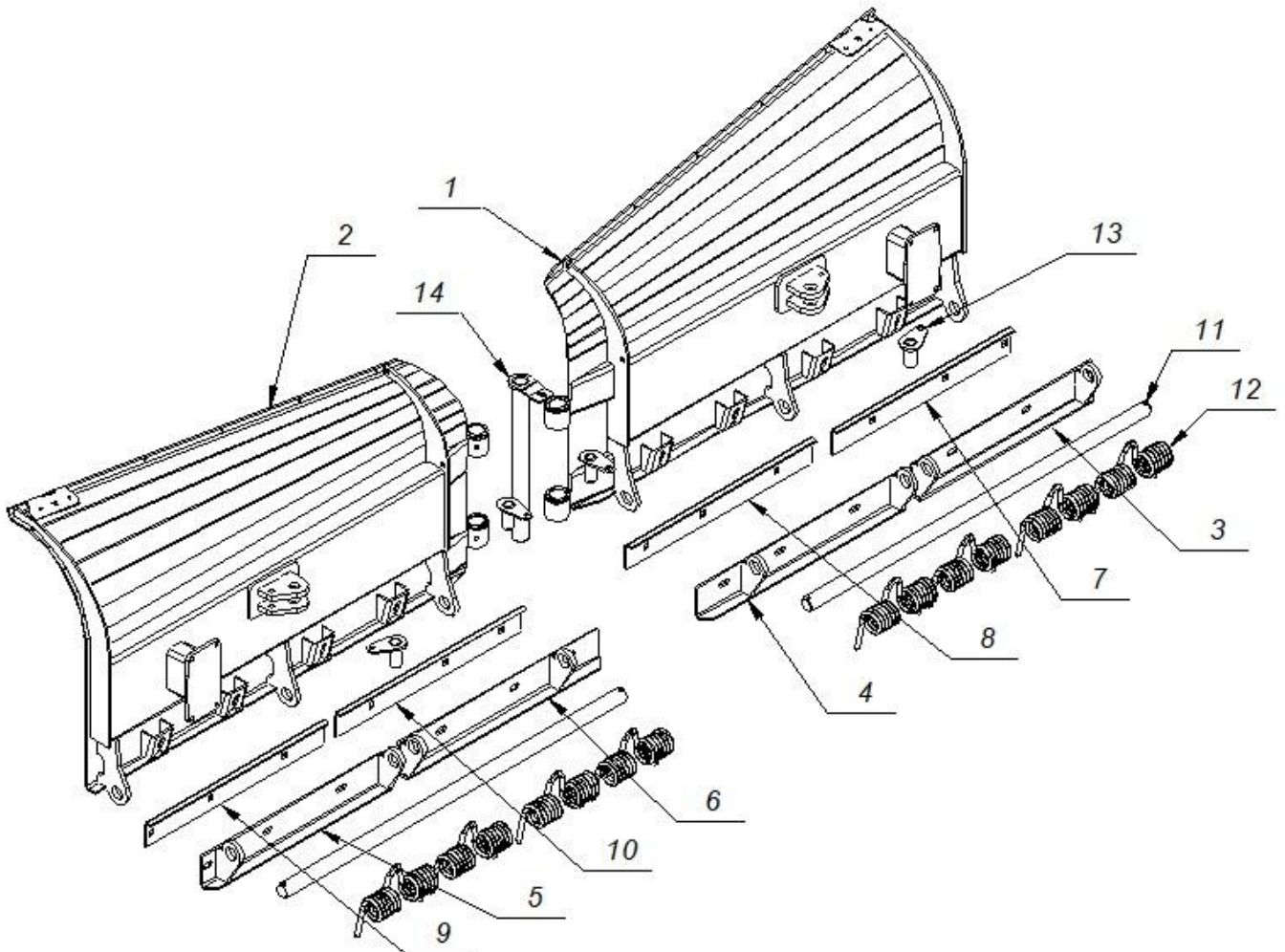


Table No. 1

Part name	No.	CPKV130	CPKV150	CPKV180	CPKV200	CPLV150	CPLV180	CPLV200
		Index						
Right mouldboard	1	PL13_01_R01	PL15_01_R01	PL18_01_R01	PL20_01_R01	PK15_01_R01	PK18_01_R01	PK20_01_R01
Left mouldboard	2	PL13_02_R01	PL15_02_R01	PL18_02_R01	PL20_02_R01	PK15_02_R01	PK18_02_R01	PK20_02_R01
Right tilting blade	3	POO_57_R01	POO_41_R01	POO_39_R01	POO_69_R01	POO_72_R01	POO_35_R01	POO_37_R01
Left tilting blade	4	POO_56_R01	POO_40_R01	POO_38_R01	POO_68_R01	POO_71_R01	POO_34_R01	POO_36_R01
Right front pressure arm	5	P_239_R01	P_138_R01	P_176_R01	P_295_R01	P_300_R01	P_176_R01	P_295_R01
Left front pressure arm	6	P_238_R01	P_138_R01	P_177_R01	P_292_R01	P_299_R01	P_177_R01	P_292_R01
Blade pins	7	P_237_R01	P_26_R01	P_139_R01	P_293_R01	P_298_R01	P_139_R01	P_155_R01
Spring	8	SPR-17						
Pins	9	S_SW33_24.5_50						
Mouldboard pin	10	POO_27_R01						

Fig. 10 CPSV200 plough parts - Table No. 2

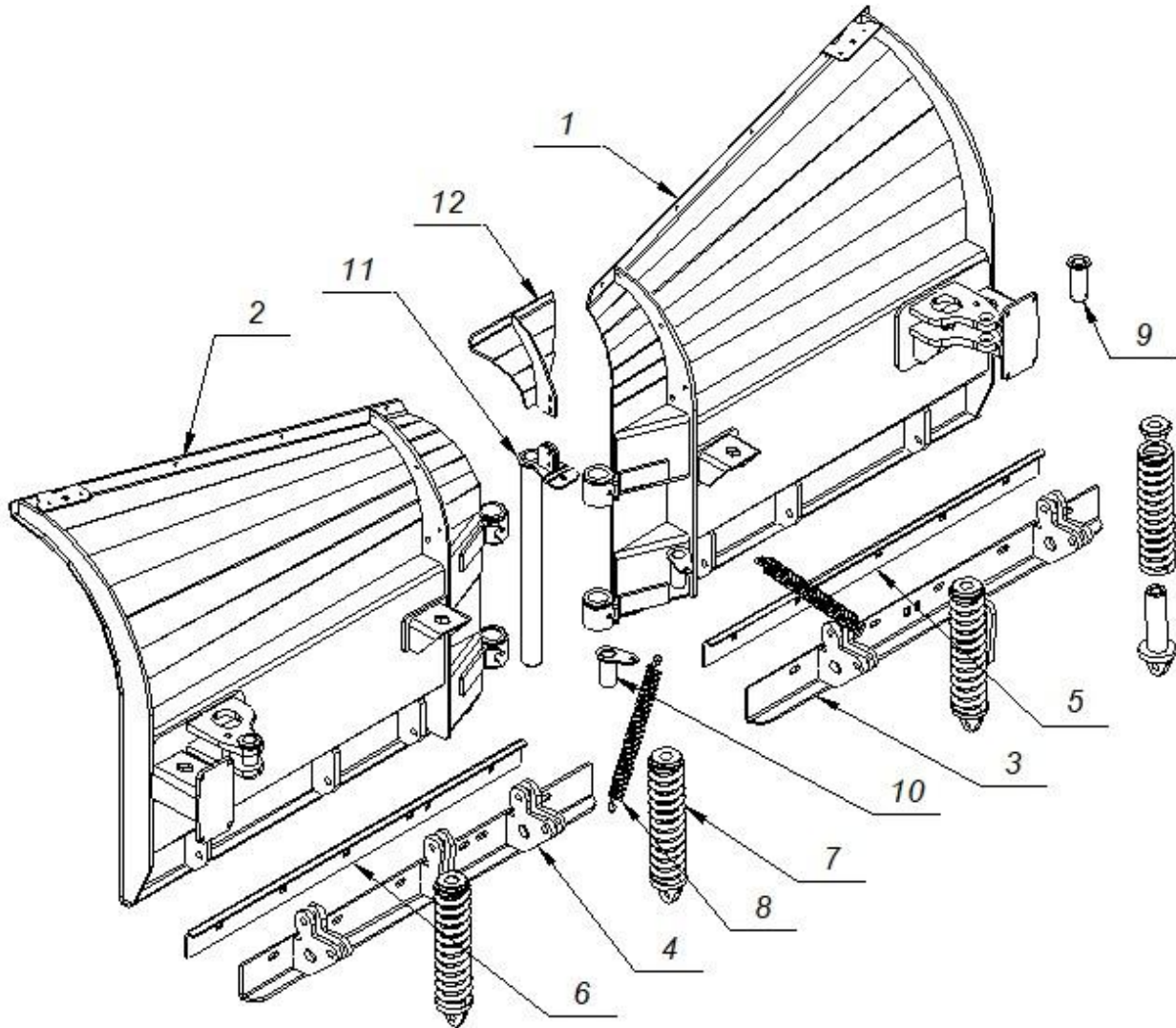


Fig. 11 CPSV220 plough parts – Table No. 2

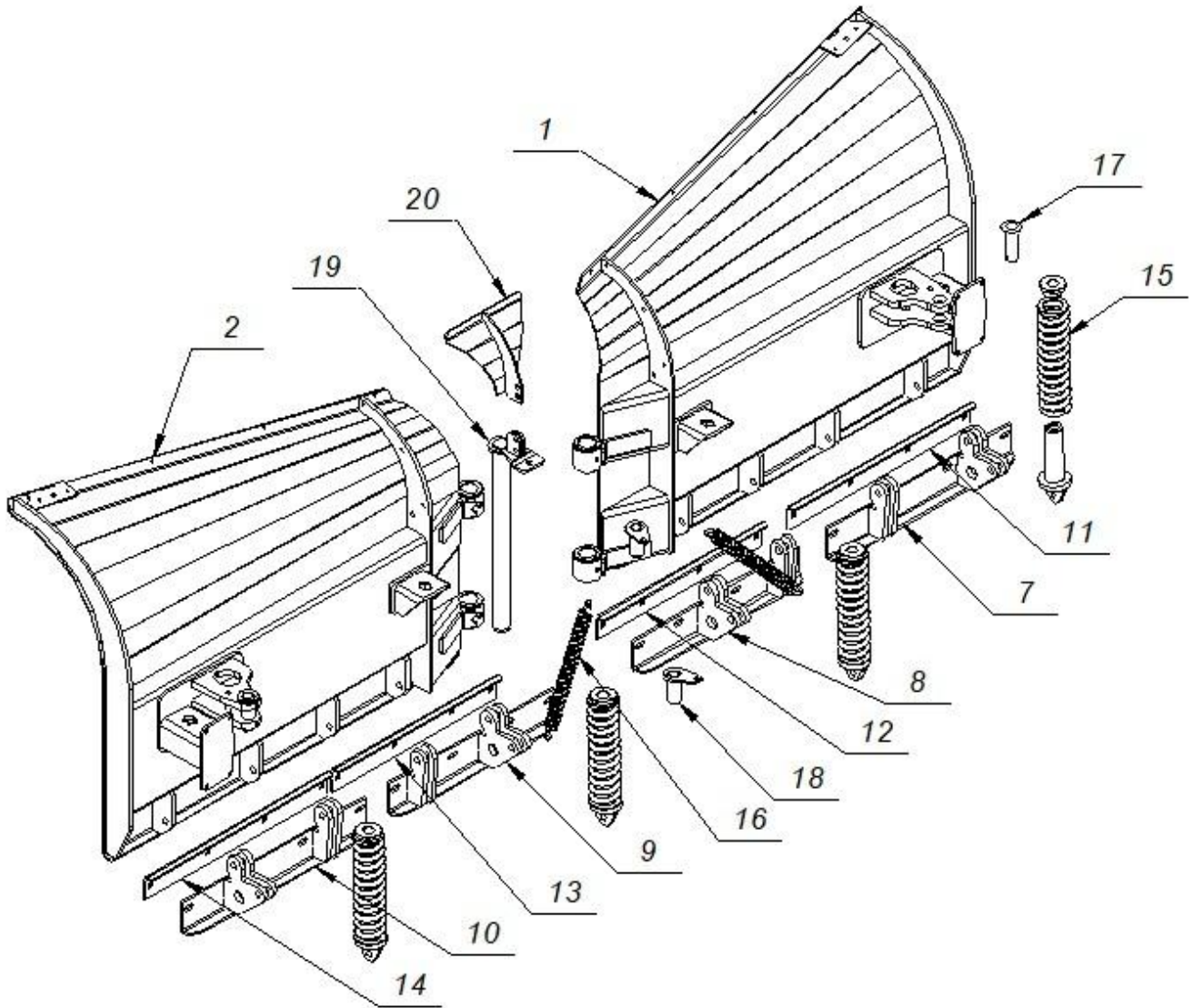


Fig. 12 CPSV260, 290 plough parts - Table No. 2

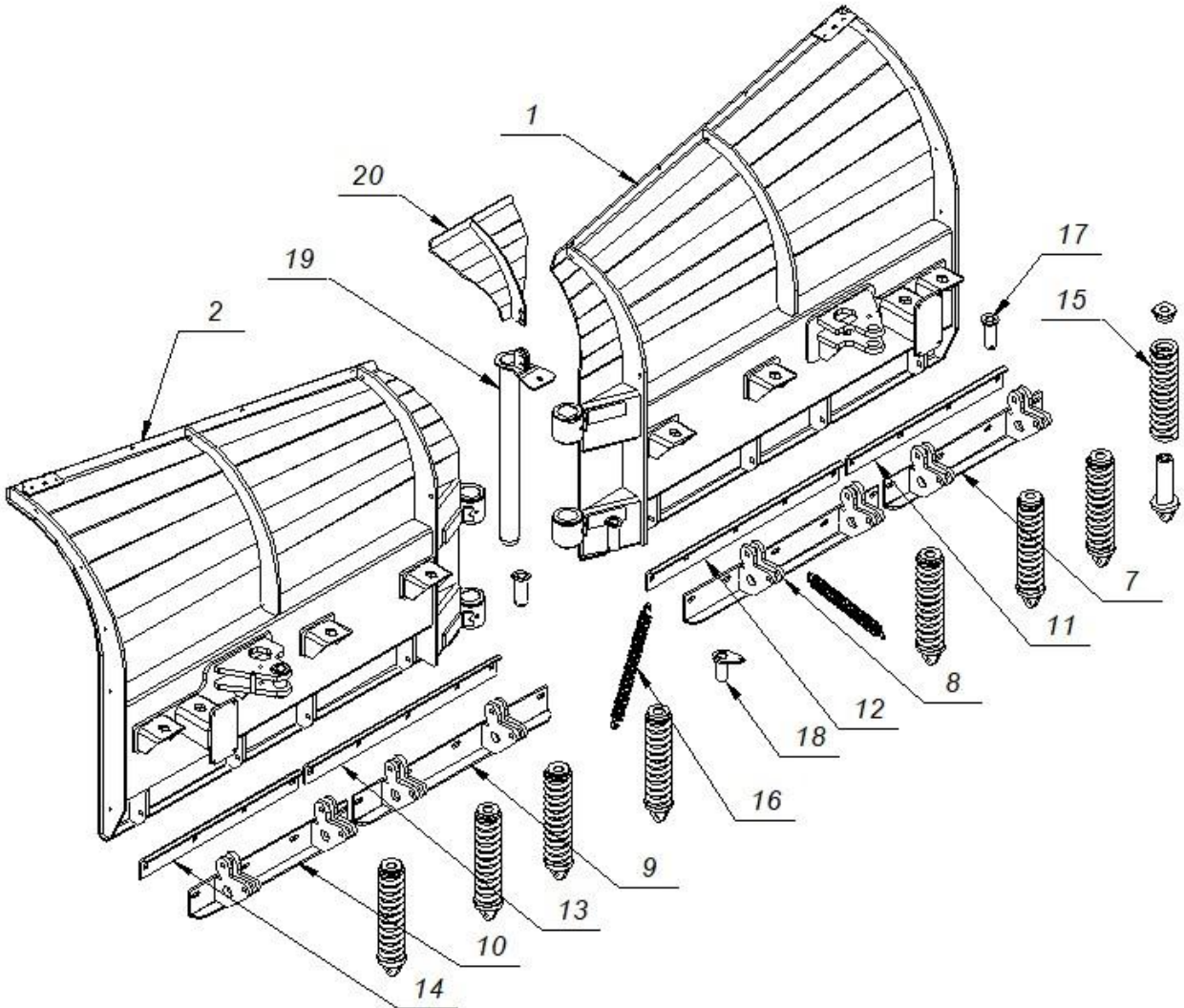


Table No. 2

<i>Part name</i>	<i>Item no.</i>	CPSV200	<i>Item no.</i>	CPSV220	CPSV260	CPSV290
		<i>Index</i>		<i>Index</i>		
Right mouldboard	1	PC20_01_R01	1	PC22_01_R01	PC26_01_R01	PC29_01_R01
Left mouldboard	2	PC20_02_R01	2	PC22_02_R01	PC26_02_R01	PC29_02_R01
Right tilting blade	3	POO_65_R01	7	POO_51_R01	POO_67_R01	POO_14_R01
			8	POO_50_R01	POO_59_R01	POO_15_R01
Left tilting blade	4	POO_64_R01	9	POO_52_R01	POO_63_R01	POO_13_R01
			10	POO_53_R01	POO_66_R01	POO_12_R01
Right front pressure arm	5	P_285_R01	11	P_223_R01	P_287_R01	P_45_R01
			12	P_224_R01	P_259_R01	P_42_R01
Left front pressure arm	6	P_283_R01	13	P_656_R01	P_275_R01	P_43_R01
			14	P_223_R01	P_287_R01	P_45_R01
Springs	15	SPR-13				
	16	SPR-15				
External pins	17	PO_17_R01				
Internal pins	18	S_SW92_29.5_65				
Mouldboard pin	19	POO_09_R01				
Deflector	20	POO_16_R01				

Fig. 13 Parts of the CPCV260, 290, 330 plough - Table no. 3

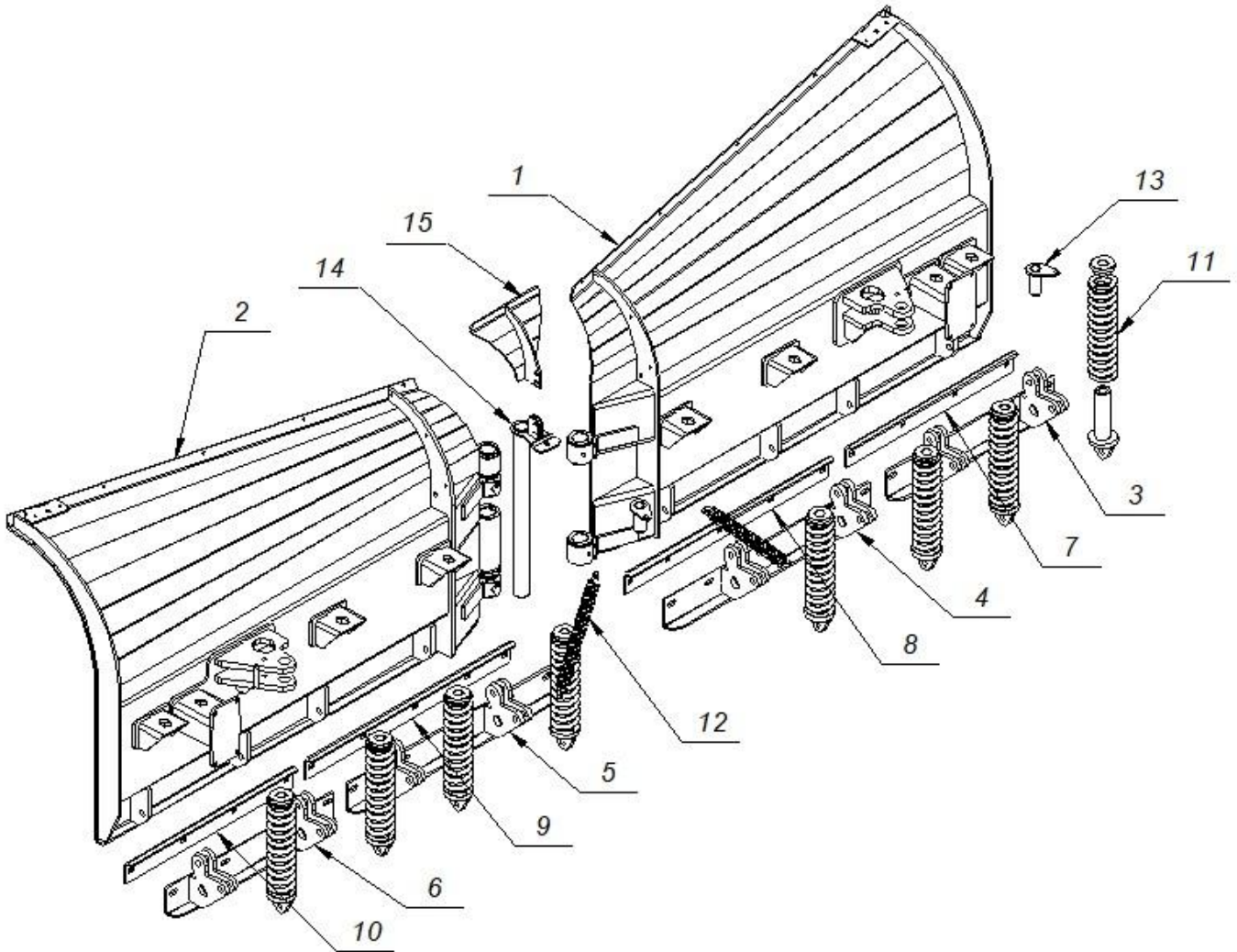
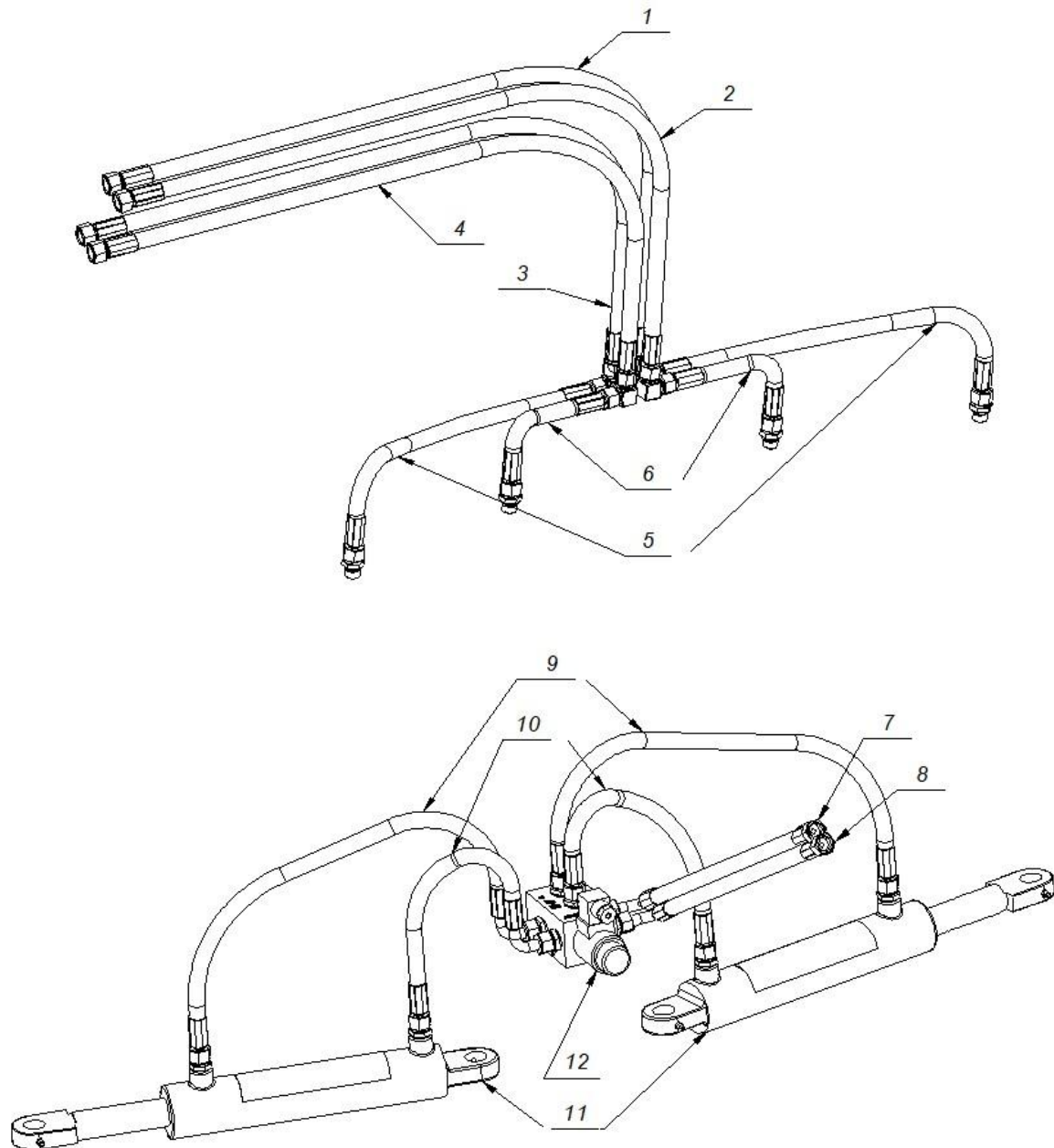


Table No. 3

<i>Part name</i>	<i>Item no.</i>	CPCV260	CPCV290	CPCV330
		<i>Index</i>		
Right mouldboard	1	PG26_02_R01	PG29_02_R01	PG33_02_R01
Left mouldboard	2	PG26_01_R01	PG29_01_R01	PG33_01_R01
Right tilting blade	3	POO_132_R01	POO_58_R01	POO_79_R02
	4	POO_59_R01	POO_59_R01	POO_78_R02
Left tilting blade	5	POO_63_R01	POO_63_R01	POO_121_R01
	6	POO_132_R01	POO_62_R01	POO_120_R01
Right front pressure arm	7	P_287_R01	P_256_R01	P_482_R01
	8	P_259_R01	P_259_R01	P_481_R01
Left front pressure arm	9	P_275_R01	P_275_R01	P_341_R01
	10	P_287_R01	P_274_R01	P_342_R01
Springs	11	SPR-13		
	12	SPR-15		
Pins	13	S_SW92_29.5_65		
Mouldboard pin	14	POO_60_R01		
Deflector	15	POO_61_R01		

Fig. 14 Hydraulic supply system for CPKV, CPLV, CPCV, CPSV snow ploughs



- (1, 2, 3, 4) - Hydraulic hose; (5) - Hydraulic hose; (6) - Hydraulic hose;
 (7, 8) - Hydraulic hoses; (9, 10) - Hydraulic hoses;
 (11) - Hydraulic cylinders; (12) - Solenoid valve;

Table No. 4

List of clearing blades used in V-type snow ploughs.

<i>Name</i>	<i>Index</i>	<i>Where used</i>
Rubber blade 150x30	LG150x30	CPK, CPKV, CPLH, CPLK
Rubber blade 175x50	LG175x50	CPSH, CPSV, CPCH, CPCV
Polyurethane blade 150x30	LP150x30	All ploughs
HB500 steel blade 150x12	LS150x12	CPK, CPKV, CPLH, CPLK
HB500 steel blade 175x16	LS175x16	CPSH, CPSV
HB500 steel blade 175x18	LS175x18	CPCH, CPCV

Types of blades used in V-type snow ploughs

1. Rubber blades

Advantages:

- Very flexible — they adapt well to uneven ground.
- They do not damage the surface (paving stones, asphalt).
- Quiet during operation.

Disadvantages:

- Wear out faster than steel or polyurethane.
- Less effective in heavy, frozen snow.

Application: Residential roads, pavements, paving stones, decorative surfaces.

2. Polyurethane blades

Advantages:

- Very high abrasion resistance — significantly higher than rubber.
- Flexibility combined with high durability.
- They do not scratch the surface.
- They perform well in both light and heavy snow.

Disadvantages:

- Higher price than rubber.

Application: Areas requiring surface protection but with heavier workloads — car parks, manoeuvring areas, internal roadways.

3. Steel blades

Advantages

- Most effective at removing compacted, frozen snow.
- Very high mechanical durability.
- Best for heavy-duty conditions.

Disadvantages:

- May damage delicate surfaces.
- Noisier during operation.

Application: Asphalt roads, industrial sites, areas with heavy loads and hard surfaces

Clearing blades comparison table

<i>Type of blade</i>	<i>Durability</i>	<i>Surface protection</i>	<i>Effectiveness on ice</i>	<i>Price</i>
Rubber	Low–medium	Very high	Low	Low
Polyurethane	High	Very high	Medium–high	Medium–high
Steel	Very high	Low	Very high	Medium